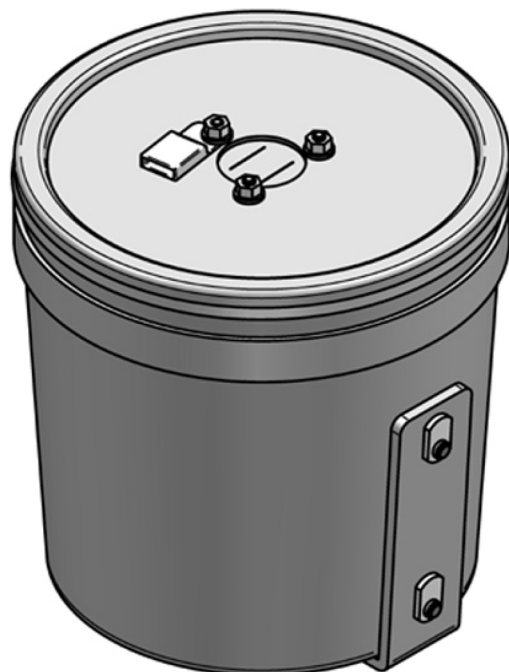
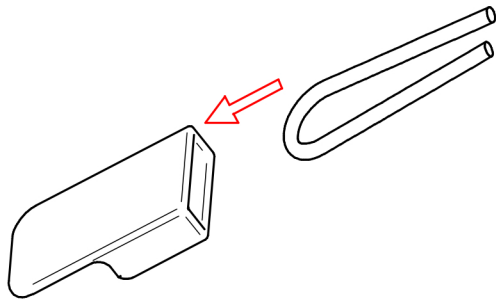


# Trimmer Line Spool Holder Installation Instructions

Thank you for purchasing this Gridiron product

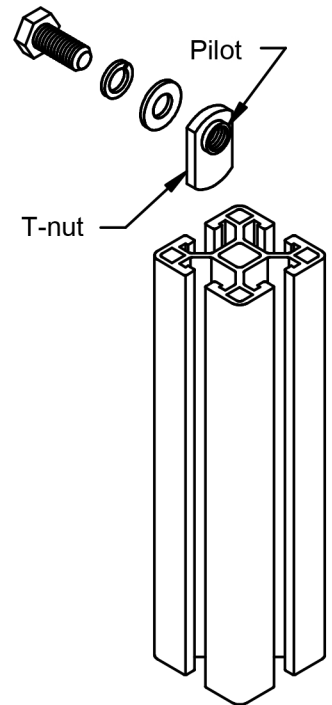
- 1 Fastening hardware is assembled at the factory but can loosen during shipping. Assemble any loose bolts, washers, and T-nuts as shown below (NOTE- INCORRECT ASSEMBLY WILL RESULT IN DAMAGE.)
- 2 The line holder can be mounted to a post or to an enclosed trailer wall.
- 3 Slide the line holder bracket down the post from the top and tighten the bolts when you have the line holder in position.
- 4 To mount to an enclosed trailer wall, remove the machine bolts and t-nuts and use the enclosed sheet metal screws to mount the line holder to the wall.
- 5 Open the lid and slide your spool of line onto the spindle inside. Feed the line through one of the slots in the rubber insert in the lid. Close the lid and dispense line by pulling out through the lid.
- 6 To cut line, bend line into small loop and push into the cutter. (see image)



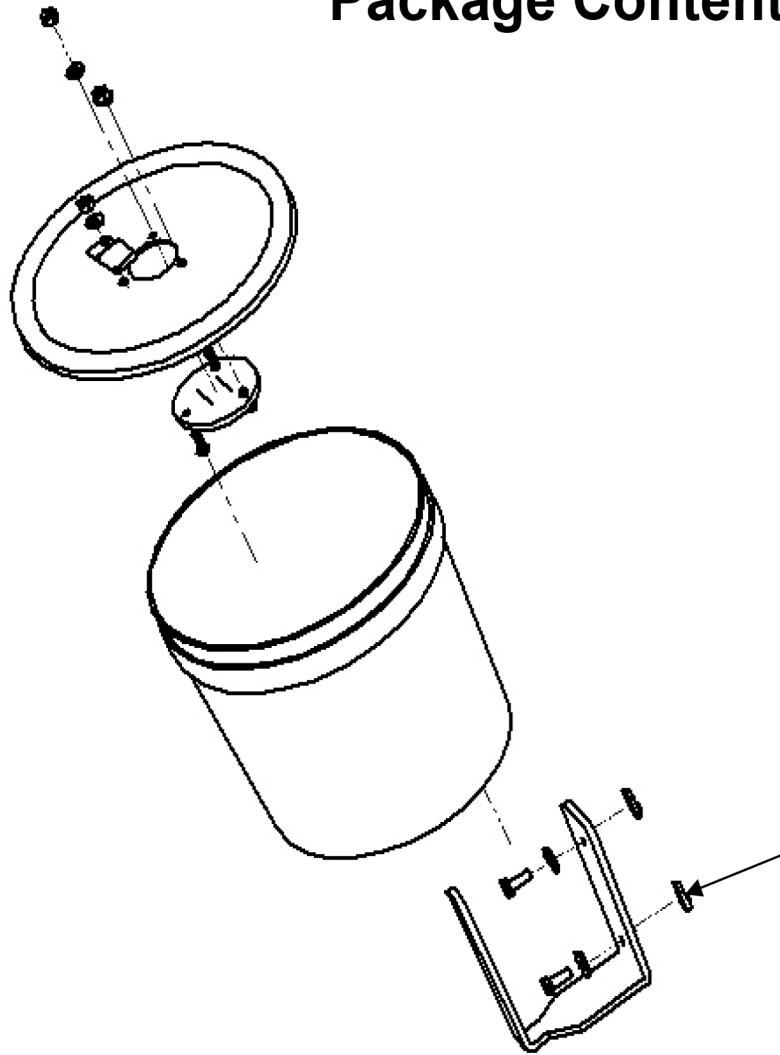
## WARNING!

DAMAGE MAY RESULT

Assemble all T-nuts with pilot to inside of post.



# Package Contents



## Part List

<u>Qty</u>	<u>Description</u>	<u>Part No.</u>
1	Line Container	102446
1	Lid	102447
1	Spindle Bracket	102292
1	Friction disc	102454
1	Line Cutter	LC-01
3	1/4-20 TH Screw	102453
3	1/4" Nut	102059
3	1/4" Lock Washer	102063
2	Single T-nut	102147
2	5/16-18 x 3/4" Bolt	102056
2	5/16" Flat Washer	102061
2	5/16" Lock Washer	102064
2	#14x1 Sheet Metal	102448
1	18" SS cable	102455

Single T-nut

### **The GRIDIRON Lifetime Guarantee**

We want you to be a satisfied GRIDIRON customer forever so we stand behind our GRIDIRON products with a lifetime guarantee.

#### **Performance Guarantee**

If at any time you are not completely satisfied with the performance of your GRIDIRON product we will correct or replace it. Simply return it to an authorized dealer.

#### **Replacement agreement for misuse or abuse**

Should you damage your GRIDIRON through misuse or abuse, we will replace the item for ½ the current suggested list price. Send the product, shipping prepaid, along with an explanation to Novae Customer Service.

#### **15 Day unconditional money back guarantee**

If at any time within fifteen (15) days after your purchase you are not satisfied with your GRIDIRON product, return it to the an authorized dealer for full refund.

#### **Some exceptions**

The springs, shock cord elements, cutting edges, vinyl and plastic protectors and finish provided with your GRIDIRON products are subject to normal wear and tear and are not covered by this guarantee.



#### **GRIDIRON CTS**

2 Novae Parkway  
Markle, IN 46770  
844-240-8695

[info@gridironcts.com](mailto:info@gridironcts.com)

© 2018 GRIDIRON CTS All rights reserved