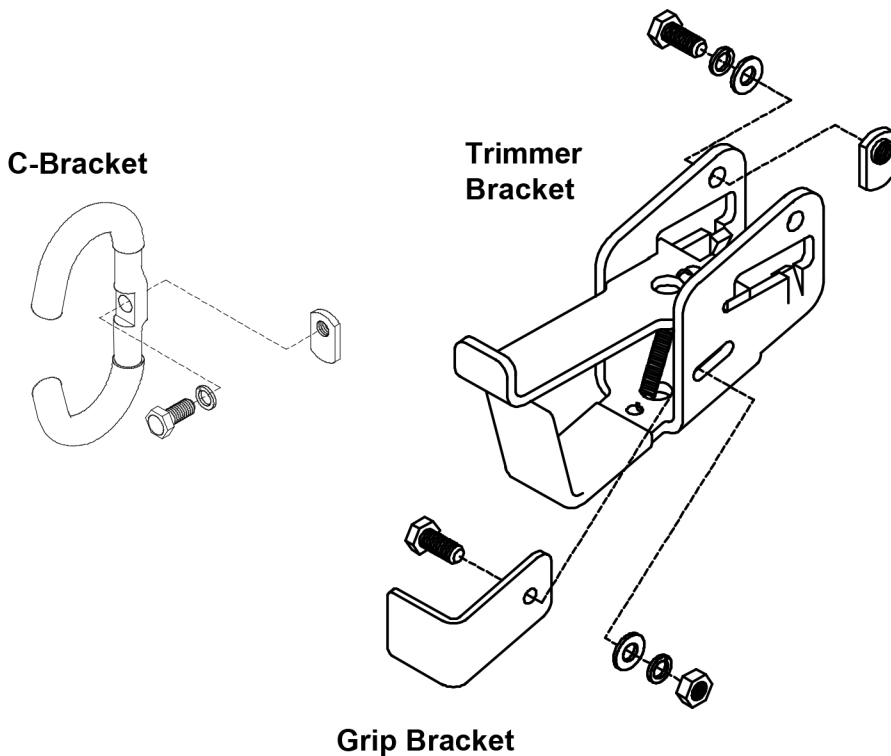


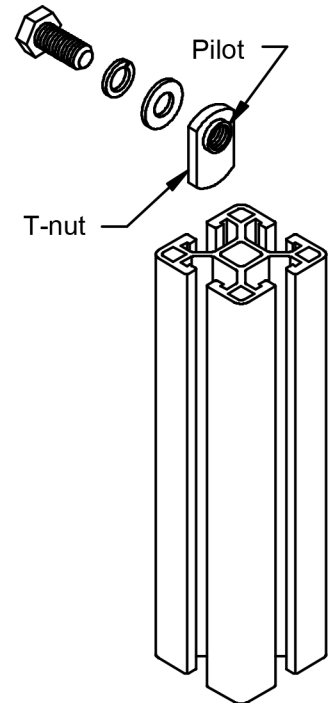
# Trimmer Bracket Installation Instructions

- 1 Fastening hardware is assembled at the factory but can loosen during shipping. Assemble any loose bolts, washers, and T-nuts as shown below (NOTE- INCORRECT ASSEMBLY WILL RESULT IN DAMAGE.)
- 2 Slide the trimmer bracket onto the post and tighten only snug until final adjustments are made. Slide the C-bracket onto the other post and tighten snug leaving it vertical for now.
- 3 When all Trimmer Brackets and other accessories are in place, and you have decided where to place each bracket, finish tightening the trimmer brackets.
- 4 To adjust the C-bracket, put your trimmer in the brackets, rotate the C-bracket just until the tube cannot come out then tighten in place.
- 5 Adjust the Grip Bracket by placing the trimmer in the bracket and pushing the block against the handle. When adjusted properly, the trimmer will not rotate or slide in the bracket.

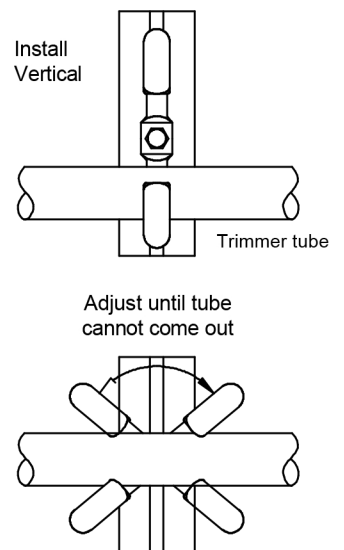


## WARNING!

Assemble all T-nuts with pilot to inside of post.

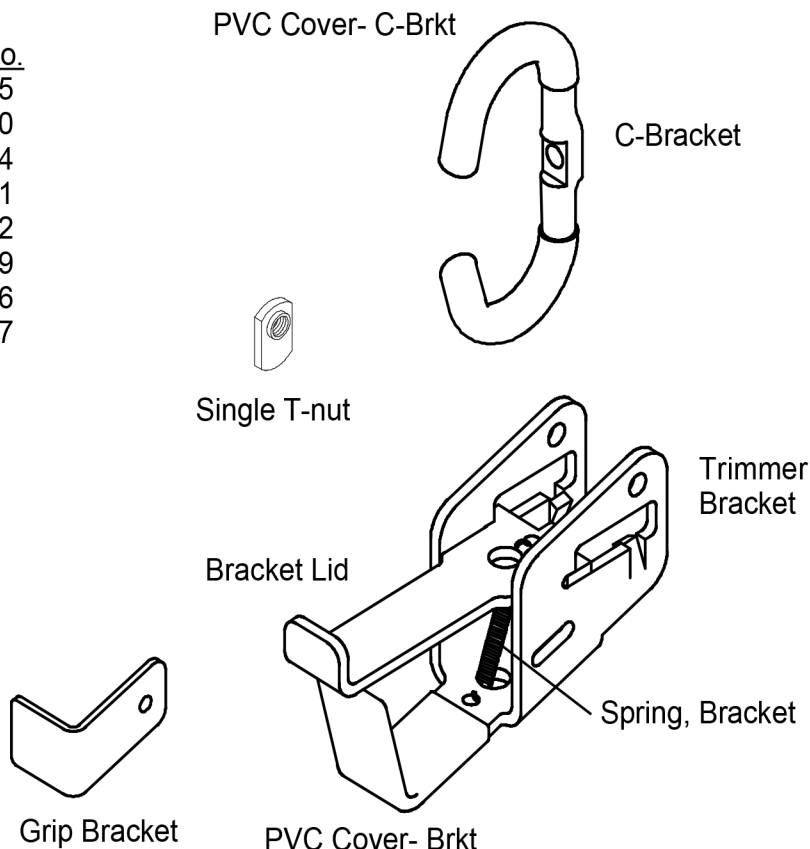


### Step 4: C-Bracket Adjustment



# Package Contents

Part List		
Qty	Description	Part No.
1	Trimmer Bracket	102115
1	PVC Cover-Brkt	102150
1	Bracket lid	102114
1	C-Bracket	102121
1	Spring, Bracket	102122
2	PVC Cover-C-Brkt	102149
1	Grip Bracket	102156
3	Single T-nut	102147
3	5/16-18 x 3/4" Bolt	
2	5/16" Flat Washer	
2	5/16" Lock washer	
1	1/4-20 x 1" Bolt	
1	1/4" Flat washer	
1	1/4" Lock Washer	
1	1/4" Nut	



## The **GRIDIRON** Lifetime Guarantee

We want you to be a satisfied GRIDIRON customer forever so we stand behind our GRIDIRON products with a lifetime guarantee.

### **Performance Guarantee**

If at any time you are not completely satisfied with the performance of your GRIDIRON product we will correct or replace it. Simply return it to an authorized dealer.

### **Replacement agreement for misuse or abuse**

Should you damage your GRIDIRON through misuse or abuse, we will replace the item for ½ the current suggested list price. Send the product, shipping prepaid, along with an explanation to Novae Customer Service.

### **15 Day unconditional money back guarantee**

If at any time within fifteen (15) days after your purchase you are not satisfied with your GRIDIRON product, return it to the an authorized dealer for full refund.

### **Some exceptions**

The springs, shock cord elements, and finish provided with your GRIDIRON products are subject to normal wear and tear and are not covered by this guarantee.



**GRIDIRON CTS**  
2 Novae Parkway  
Markle, IN 46770  
844-240-8695

[info@gridironcts.com](mailto:info@gridironcts.com)

©2018 GRIDIRON CTS All rights reserved