

TM-01 Spare Tire Mount

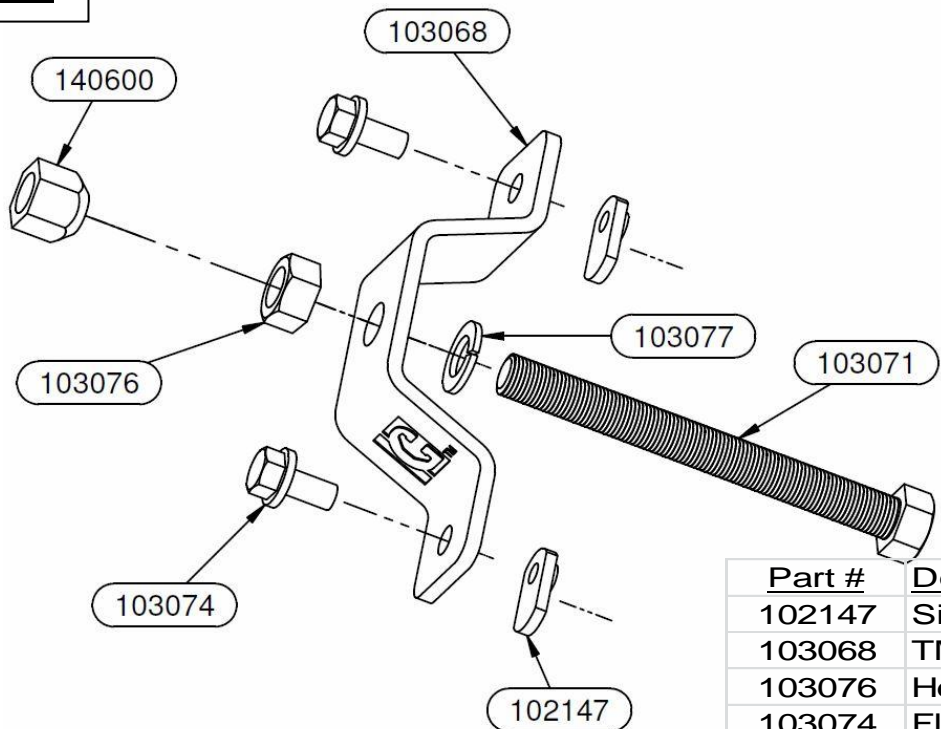
Thank you for purchasing this GRIDIRON product

The GRIDIRON Spare Tire Mount can be used to carry one spare tire. It can be mounted to GRIDIRON posts, or flush mounted.

WARNING!
DAMAGE MAY RESULT

Assemble all T-nuts with pilot to inside of post.

Parts



Part #	Description	Qty
102147	Single T-Nut	2
103068	TM U-bracket	1
103076	Hex Nut 1/2-20	1
103074	Flanged Bolt 5/16-18x5/8	2
103071	Tap Bolt 1/2-20 x 5	1
103077	Lock Washer 1/2	1
140600	Lugnut 1/2-20	1



GRIDIRON CTS
844-240-8695
www.gridironcts.com
info@gridironcts.com

© 2018 GRIDIRON CTS
 All rights reserved

The GRIDIRON Lifetime Guarantee

We want you to be a satisfied GRIDIRON customer forever, so we stand behind our GRIDIRON products with a lifetime guarantee.

Performance Guarantee
 If at any time, you are not completely satisfied with the performance of your GRIDIRON product, we will correct or replace it. Simply return it to an authorized dealer.

Some Exceptions
 The springs, shock cord elements, cutting edges, vinyl and plastic protectors, and finish provided with your GRIDIRON products are subject to normal wear and tear and are not covered by this guarantee.