



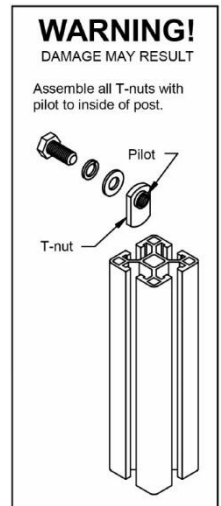
RP-01 Universal Ramp Set

Thank you for purchasing this GRIDIRON product

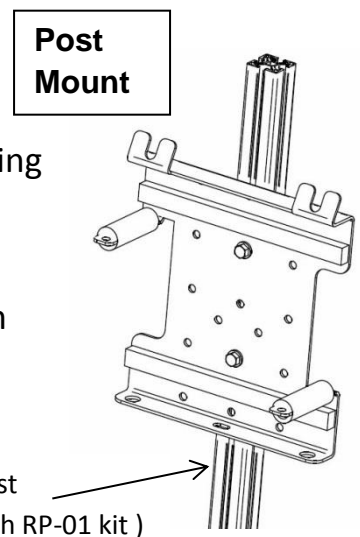
The GRIDIRON Universal Ramp Set provides an easy solution for climbing curbs and other low barriers. The set comes with a rack to hold the ramps when not in use. The rack can be mounted to GRIDIRON posts, or directly to any suitable attachment point on your mower or other equipment.

Assembly and Installation

1. **Fastener Assembly-** The fasteners are assembled at the factory but can loosen during shipping. Assemble any loose bolts and T-nuts only as shown at right. (NOTE : INCORRECT ASSEMBLY WILL RESULT IN DAMAGE !)

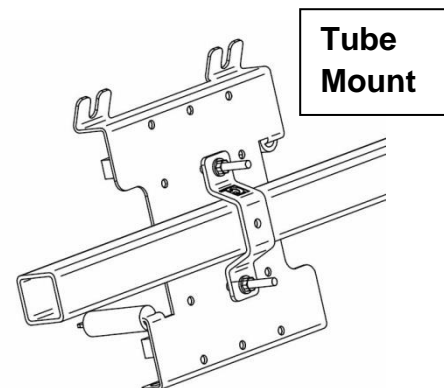


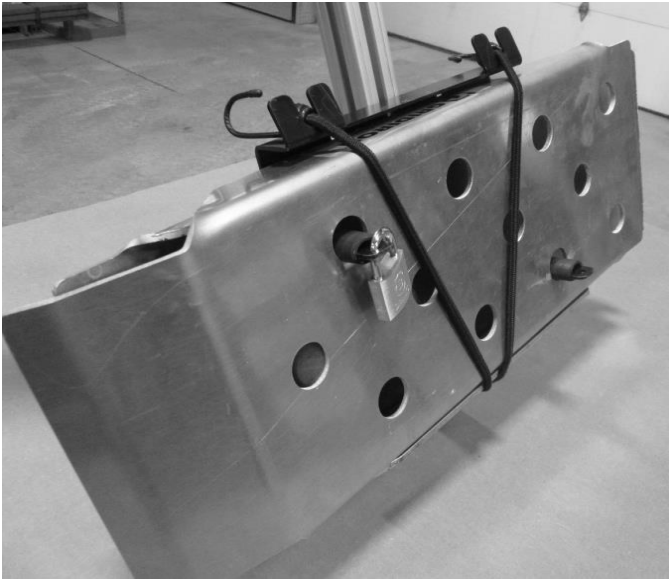
2(a) **Post Mounting-** The ramp rack is provided with a variety of mounting holes to accommodate many different mounting positions. Choose two holes that will suit your desired orientation and insert two 5/16 bolts. Thread two T-nuts on the bolts on the backside of the rack, leaving them loose. Slide the T-nuts into the slots of the Gridiron post. Adjust the position and tighten the two bolts.



2(b) **Mount Direct to Flat Surface-** Before drilling holes, check for fit and clearance by holding the ramp set where you would like to mount it. Mark and drill at least 2 holes for 5/16 bolts. Use care to insure that you are not drilling into a fuel or oil tank, or causing other damage. If suitable, use the provided hardware (5/16 bolts and hex nuts) to mount the rack. Some mounting scenarios may require locally acquired hardware.

2 (c) **Mount to Square or Round Tube –** Using the U-bracket and 2-1/2 inch carriage bolts, the ramp rack may be clamped to an open span of tubing on your equipment. Some mounting scenarios may require locally acquired hardware.





3. **Place Ramps on Rack** – After the carrying rack is securely mounted, the ramps are placed on the rack as shown at left. Stretch the two ends of the bungee cord across the ramps to the hook points. A padlock with up to a 5/16” shank can be inserted through one of the support fingers for security. The holes at the bottom of the rack provide a place to store the padlock when not in use.

General Use and Operation

1. Your ramps were designed for use with a variety of equipment (mowers, wheelbarrows, UTV’s, etc.*) to make it easy to go over curbs and other low obstacles.
2. Place your ramps perpendicular to the curb, insuring that both the top and bottom are lying flush on the surfaces.
3. Align the ramps with the wheels of your equipment making sure that the wheels are centered on the ramp when in use.

***NOTE:** Exceeding the recommended weight limit of 800 pounds per ramp will void the warranty.

Package contents

- (2) Universal Ramps
- (1) Ramp Carrying Rack with attached bungee cord
- (1) Universal Mounting Bracket and hardware



GRIDIRON CTS

844-240-8695

www.gridironcts.com

info@gridironcts.com

© 2018 GRIDIRON CTS
All rights reserved

The GRIDIRON Lifetime Guarantee

We want you to be a satisfied GRIDIRON customer forever, so we stand behind our GRIDIRON products with a lifetime guarantee.

Performance Guarantee

If at any time, you are not completely satisfied with the performance of your GRIDIRON product, we will correct or replace it. Simply return it to an authorized dealer.

Some Exceptions

The springs, shock cord elements, cutting edges, vinyl and plastic protectors, and finish provided with your GRIDIRON products are subject to normal wear and tear and are not covered by this guarantee.