

# Post Set Installation Instructions

Thank you for purchasing this Gridiron product

## General instructions

- 1 Fastening hardware is assembled at the factory but can loosen during shipping. Assemble any loose bolts, washers, and T-nuts as shown (NOTE- INCORRECT ASSEMBLY WILL RESULT IN DAMAGE.) Slide into post and finger tighten.
- 2 Before drilling holes, check for fit and clearance by holding the posts and mounting brackets where you want to mount them. For trimmers, posts should be approximately 30 to 36 inches apart.

## Open Trailers

- 1 Position the posts and mark the holes through the mounting bracket on the side rail and floor.
- 2 Drill 21/64" clearance holes in the side rail.
- 3 Drill 3/6" pilot holes for lag bolts in wood floors.
- 4 Assemble all bolts finger tight for alignment before tightening.

Notes:

Angle type side rail- Use 5/16-18 x 1 bolts

Round or square tube side rails- Use bolts 5/16-18 x (rail size plus 3/4"), acquire locally.

## Enclosed Trailers

- 1 Assemble the mounting brackets, trimmer brackets and other accessories to the posts leaving all bolts finger tight before mounting the post to the wall.
- 2 Position the posts and mark the holes through the mounting bracket.
- 3 Drill 3/6" pilot holes for the lag bolts being careful not to drill through to the outer wall. (Add 2 additional 5/16 x 1" lag bolts for more rigid installation)
- 4 Assemble all bolts finger tight for alignment before tightening.

## Pick-up Bed

- 1 Position the posts and mark the holes through the mounting bracket on the bed top rail and floor.
- 2 Drill 21/64" clearance holes in the side rail and floor. (acquire additional bolts as required)
- 3 Assemble all bolts finger tight for alignment before final tightening.

Notes:

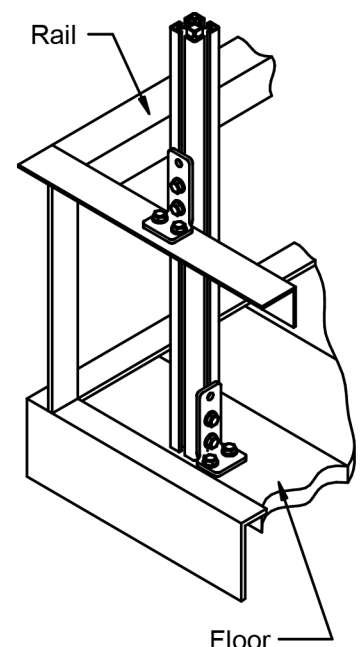
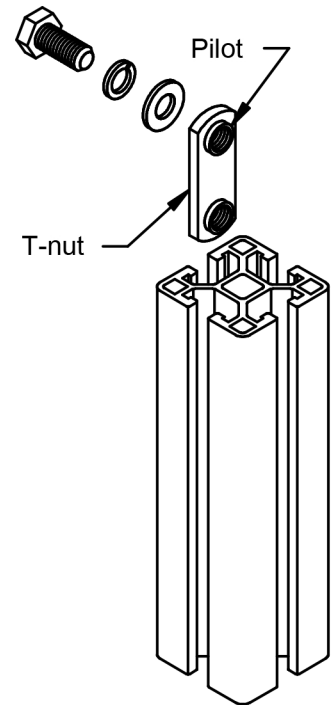
Thread forming screws may be used for blind hole assembly, use 2 screws per bracket, acquire locally.

When installing over a bedliner, be sure bolts are secured through the metal bed.

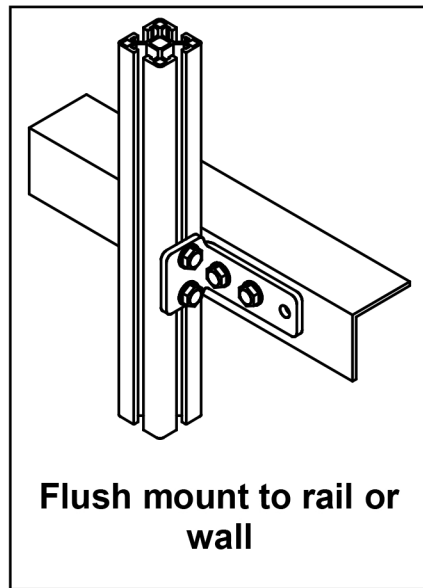
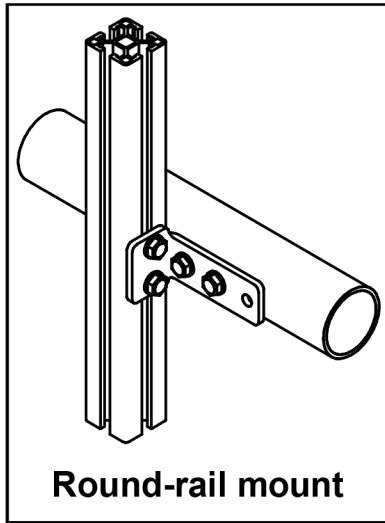
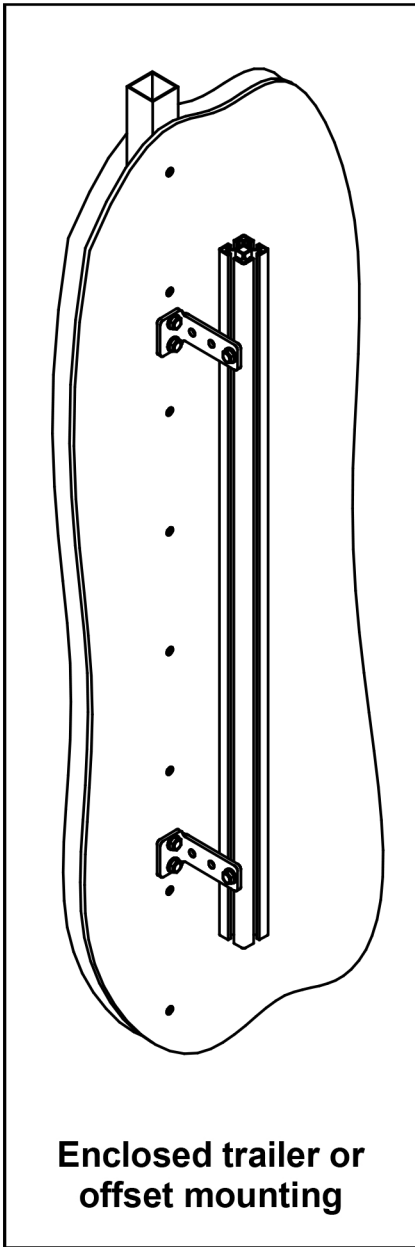
## WARNING!

DAMAGE MAY RESULT

Assemble T-nuts with pilot to inside of post.



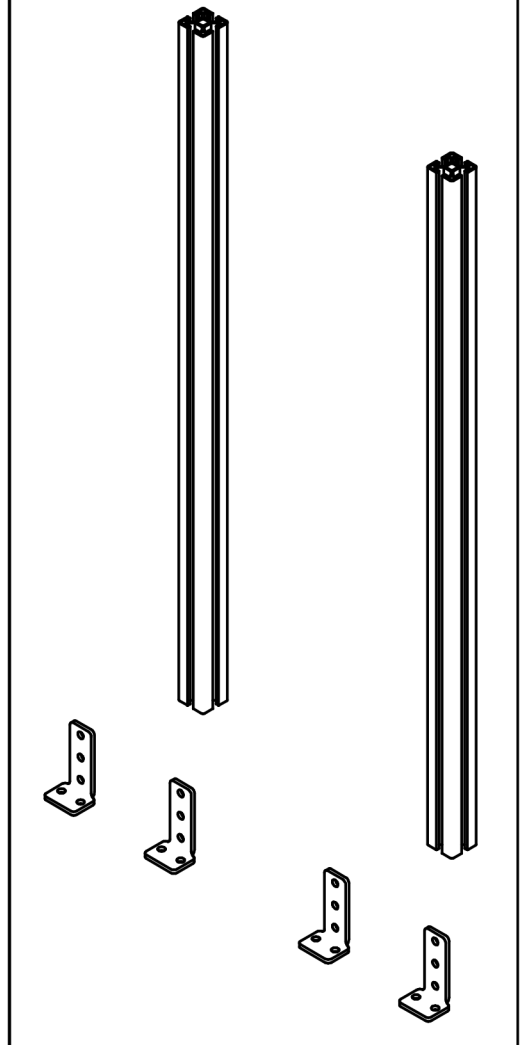
Open trailer mounting



# Package Contents

## Part List

Qty	Description	Part No.
2	Aluminum Posts	PO-XX
4	Mounting Brkt	102082
4	Double T-nut	102146
8	5/16-18 x 3/4" Bolt	
4	5/16-18 x 1" Bolt	
4	5/16-18 Nut	
4	5/16 x 1" Lag Bolt	
16	5/16" Lock washer	
12	5/16" Flat washer	



### The **GRIDIRON** Lifetime Guarantee

We want you to be a satisfied GRIDIRON customer forever so we stand behind our GRIDIRON products with a lifetime guarantee.

#### **Performance Guarantee**

If at any time you are not completely satisfied with the performance of your GRIDIRON product we will correct or replace it. Simply return it to an authorized dealer.

#### **Replacement agreement for misuse or abuse**

Should you damage your GRIDIRON through misuse or abuse, we will replace the item for 1/2 the current suggested list price. Send the product, shipping prepaid, along with an explanation to Novae Customer Service.

#### **15 Day unconditional money back guarantee**

If at any time within fifteen (15) days after your purchase you are not satisfied with your GRIDIRON product, return it to the an authorized dealer for full refund.

#### **Some exceptions**

The springs, shock cord elements, and finish provided with your GRIDIRON products are subject to normal wear and tear and are not covered by this guarantee.



### GRIDIRON CTS

2 Novae Parkway

Markle, IN 46770

844-240-8695

info@gridironcts.com

©2018 GRIDIRON CTS All rights reserved