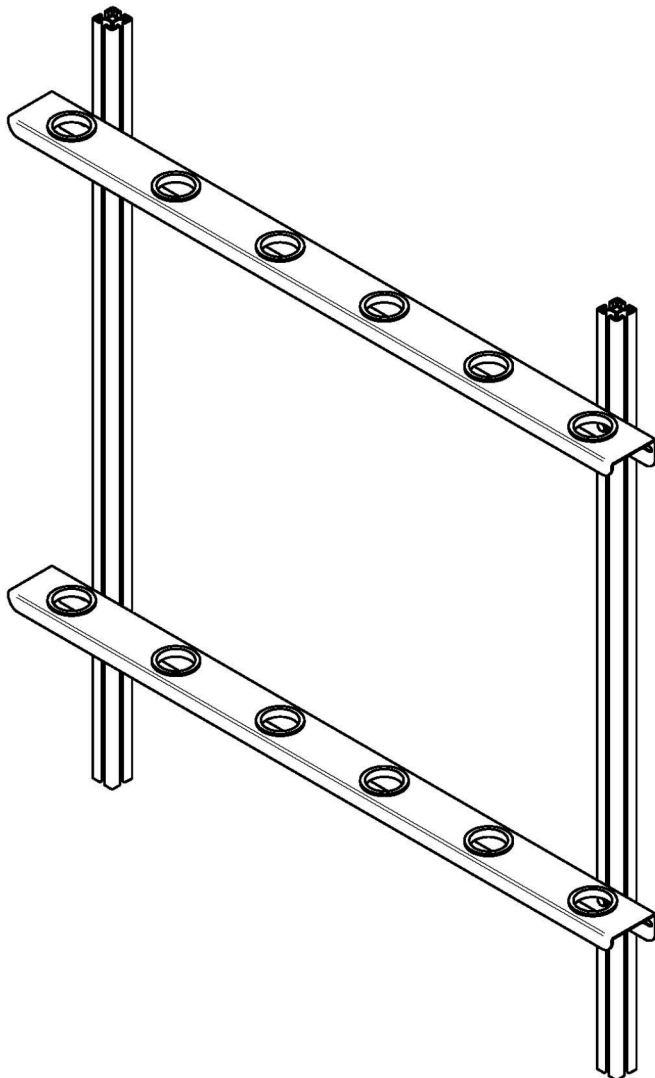


Open Hand Tool Holder Installation Instructions

Thank you for purchasing this Gridiron product

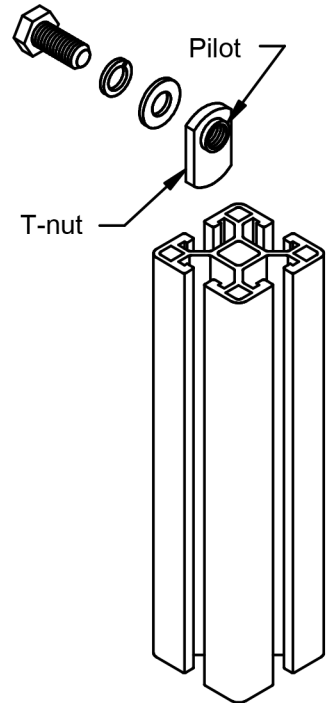
- 1 Fastening hardware is assembled at the factory but can loosen during shipping. Assemble any loose bolts, washers, and T-nuts as shown below (NOTE- INCORRECT ASSEMBLY WILL RESULT IN DAMAGE.)
- 2 2 Posts are required and must be between 43" and 29-1/2" apart on center.
- 3 Slide the hand tool holder brackets down the posts from the top and snug the bolts just enough to hold the brackets in place.
- 4 Adjust the brackets so that your hand tools rest on the deck of the trailer and the upper bracket is high enough to keep them from leaning excessively or bouncing out.
- 5 When all brackets and other accessories are in place, and you have decided where to place each bracket, finish tightening the brackets.



WARNING!

DAMAGE MAY RESULT

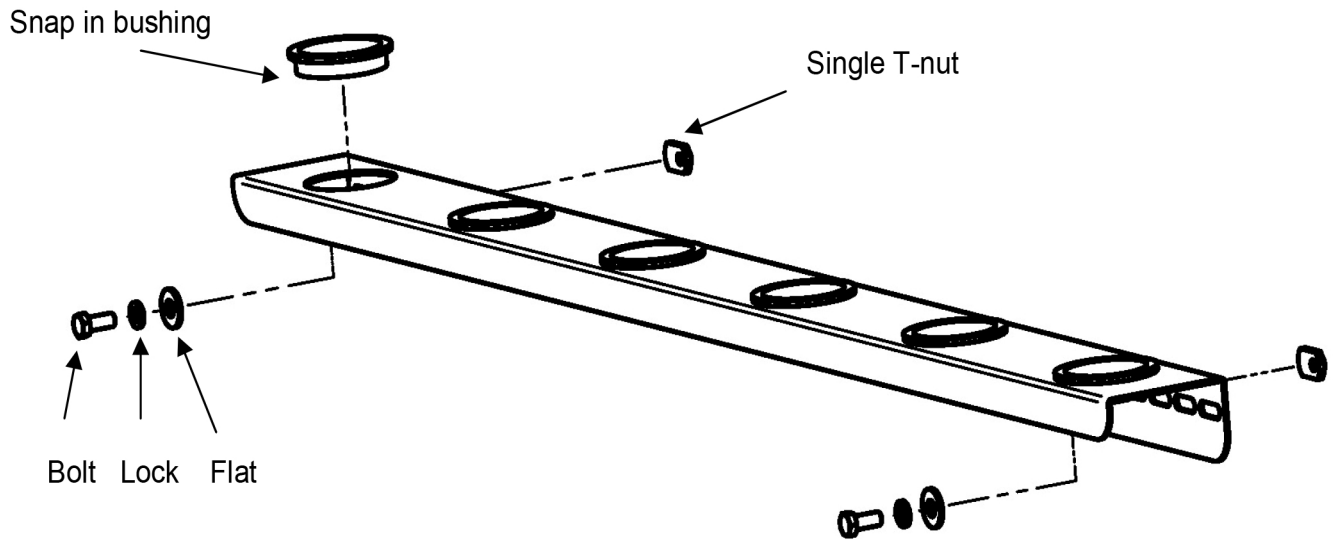
Assemble all T-nuts with pilot to inside of post.



Package Contents

Part List

Qty	Description	Part No.
2	Open Tool Bracket	102444
12	Snap in bushing	103046
4	Single T-nut	102147
4	5/16-18 x 3/4" Bolt	102056
4	5/16" Flat Washer	102061
4	5/16" Lock washer	102064



The GRIDIRON Lifetime Guarantee

We want you to be a satisfied GRIDIRON customer forever so we stand behind our GRIDIRON products with a lifetime guarantee.

Performance Guarantee

If at any time you are not completely satisfied with the performance of your GRIDIRON product we will correct or replace it. Simply return it to an authorized dealer.

Replacement agreement for misuse or abuse

Should you damage your GRIDIRON through misuse or abuse, we will replace the item for ½ the current suggested list price. Send the product, shipping prepaid, along with an explanation to Novae Customer Service.

15 Day unconditional money back guarantee

If at any time within fifteen (15) days after your purchase you are not satisfied with your GRIDIRON product, return it to the an authorized dealer for full refund.

Some exceptions

The springs, shock cord elements, cutting edges, vinyl and plastic protectors and finish provided with your GRIDIRON products are subject to normal wear and tear and are not covered by this guarantee.



GRIDIRON CTS

2 Novae Parkway
Markle, IN 46770
844-240-8695

info@gridironcts.com

© 2018 GRIDIRON CTS All rights reserved