

Lock Set Installation Instructions

Thank you for purchasing this Gridiron product

The GRIDIRON Lock Set can be used to lock all Trimmer Brackets on one side of one post. For use with 60", 48" and 36" posts.

Assembly and installation

- 1 The fasteners are assembled at the factory but can loosen during shipping. Assemble any loose bolts, washers, and T-nuts only as shown (NOTE- INCORRECT ASSEMBLY WILL RESULT IN DAMAGE.)
- 2 The lock bar is shipped 48" long for use with 60" and 48" posts. For 36" posts, use a hack-saw to cut 12" from the end of the lock bar.
- 3 Slide the Lock bar into the T-slot facing the Trimmer Brackets. Place the Lock Bracket, bolts and T-nut assembly over the end of the Lock bar as shown. Slide the whole assembly into the post together.
- 4 Locate the top of the lock bracket 1-1/4" above the top of the post to allow adequate clearance for the lock bar. Tighten the bolts.

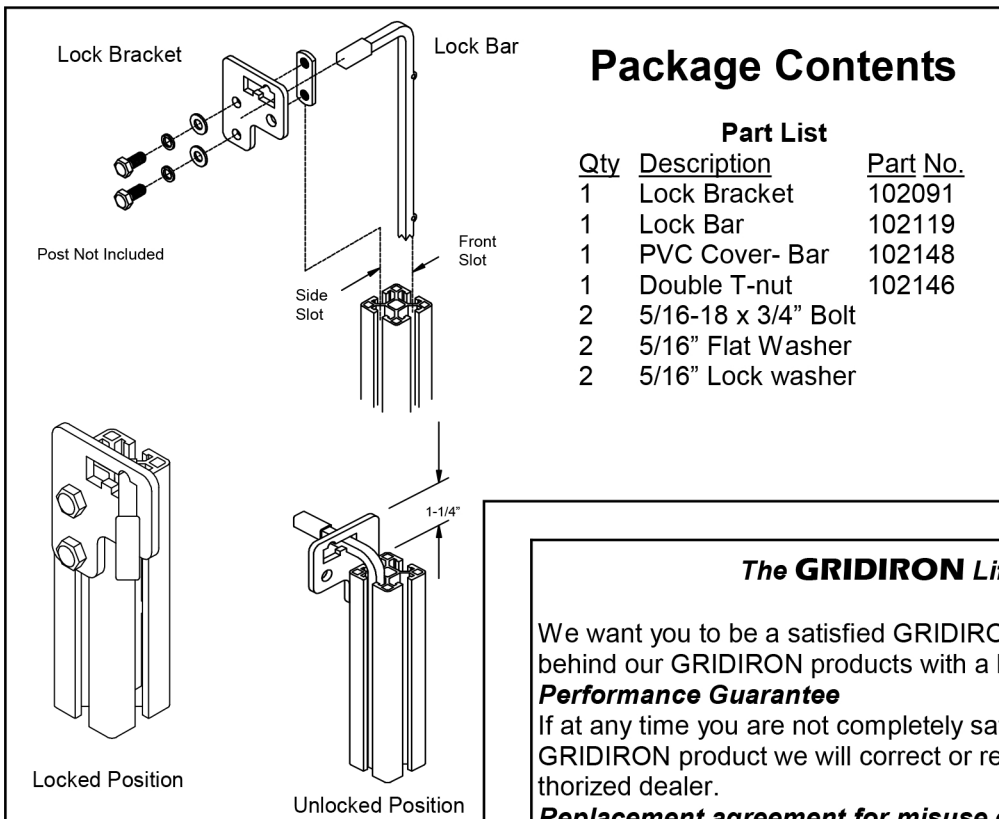
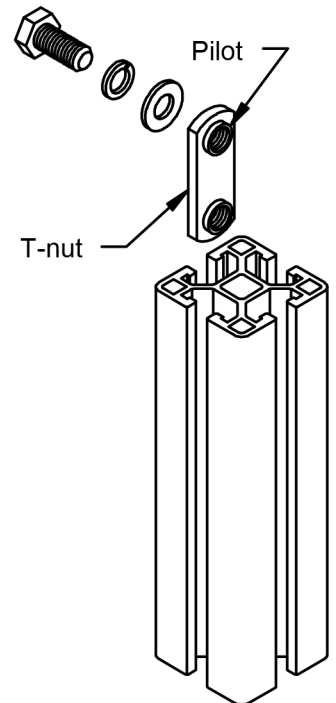
Operation

Rotate the lock bar to the lock position and insert a lock with a 1/4" to 5/16" diameter shackle above the lock bar. (No. 3 Master® lock- 9/32" shackle)

WARNING!

DAMAGE MAY RESULT

Assemble T-nuts with pilot to inside of post.



Package Contents

Part List

Qty	Description	Part No.
1	Lock Bracket	102091
1	Lock Bar	102119
1	PVC Cover- Bar	102148
1	Double T-nut	102146
2	5/16-18 x 3/4" Bolt	
2	5/16" Flat Washer	
2	5/16" Lock washer	

The GRIDIRON Lifetime Guarantee

We want you to be a satisfied GRIDIRON customer forever so we stand behind our GRIDIRON products with a lifetime guarantee.

Performance Guarantee

If at any time you are not completely satisfied with the performance of your GRIDIRON product we will correct or replace it. Simply return it to an authorized dealer.

Replacement agreement for misuse or abuse

Should you damage your GRIDIRON through misuse or abuse, we will replace the item for 1/2 the current suggested list price. Send the product, shipping prepaid, along with an explanation to Novae Customer Service.

15 Day unconditional money back guarantee

If at any time within fifteen (15) days after your purchase you are not satisfied with your GRIDIRON product, return it to the an authorized dealer for full refund.

Some exceptions

The springs, shock cord elements, and finish provided with your GRIDIRON products are subject to normal wear and tear and are not covered by this guarantee.



GRIDIRON CTS

2 Novae Parkway
Markle, IN 46770
844-240-8695

info@gridironcts.com

©2018 GRIDIRON CTS All rights reserved