

# Hedge Trimmer Scabbard Installation Instructions

Thank you for purchasing this Gridiron product

The GRIDIRON Hedge Trimmer Scabbard can be used to store one hand-held power hedge trimmer. It can be mounted to GRIDIRON Posts or directly to your Truck, Open or Enclosed Trailer.

## Assembly and installation

- 1 Fastener assembly-** The fasteners are assembled at the factory but can loosen during shipping. Assemble any loose bolts, and T-nuts only as shown (NOTE- INCORRECT ASSEMBLY WILL RESULT IN DAMAGE.)
- 2 General-** The metal bracket must be at the top end of the scabbard to support the hedge trimmer engine.
- 3 Post Mounting-** Slide the T-nuts into the slots of the Gridiron post, tighten when in the desired location.
- 4 Enclosed Trailer Wall Mounting-** Locate a wall stud and drill a 1/8" diameter hole. Use one No. 14 sheet metal screw to mount the top end of the scabbard and the metal bracket to the wall stud. Use the other No. 14 screw to mount the opposite end to the wall.

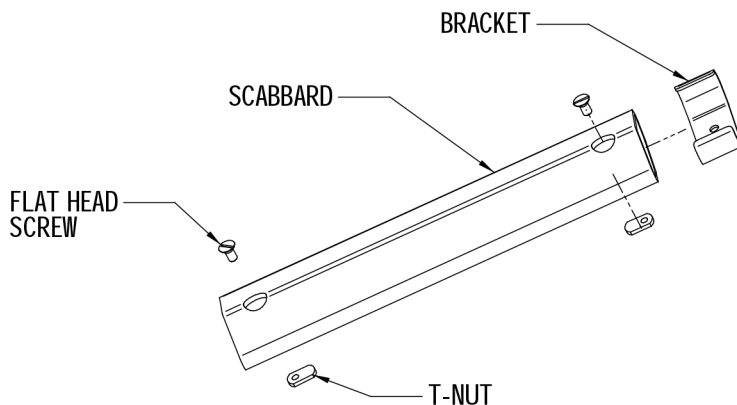
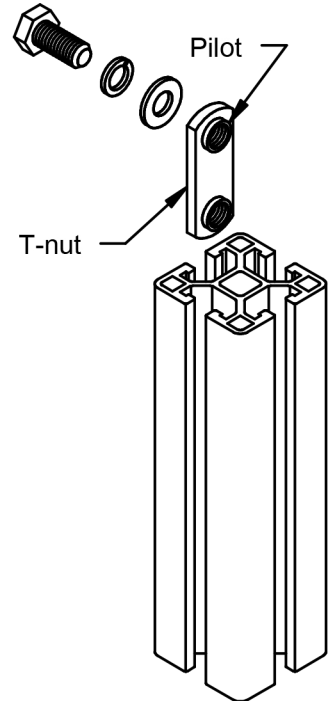
## Operation

Slide the Hedge Trimmer blade into the scabbard until it stops against the mounts/gearbox etc.

## WARNING!

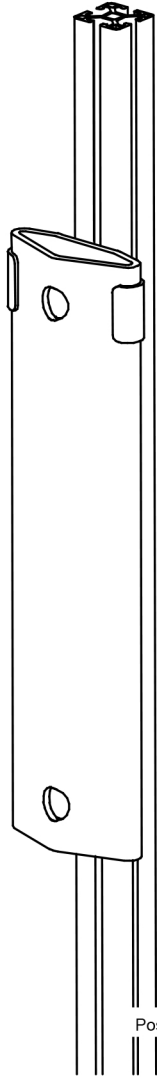
DAMAGE MAY RESULT

Assemble T-nuts with pilot to inside of post.



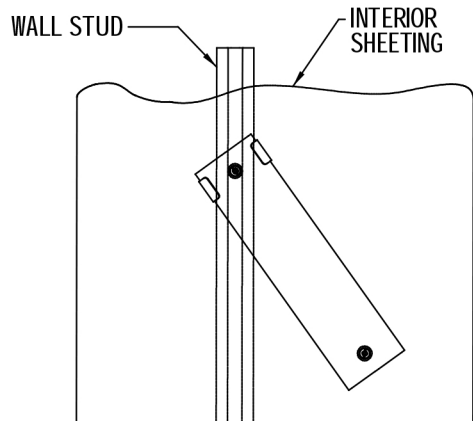
## Package Contents

Part List		
Qty	Description	Part No.
1	Scabbard	102373
1	Bracket, Scabbard	102377
2	Single T-nut	102147
2	5/16-18 x 3/4" FH Screw	
2	No.14 x 1" FH Hd Sht Mtl	



Post Not Included

**Post Mounting-** Slide the T-nuts into the slots of the Gridiron post, tighten when in the desired location.



**Enclosed Trailer Wall Mounting-** Locate a wall stud and drill a 1/8" diameter hole. Use one No. 14 sheet metal screw to mount the top end of the scabbard and the metal bracket to the wall stud. Use the other No. 14 screw to mount the opposite end to the wall.

### **The GRIDIRON Lifetime Guarantee**

We want you to be a satisfied GRIDIRON customer forever so we stand behind our GRIDIRON products with a lifetime guarantee.

#### **Performance Guarantee**

If at any time you are not completely satisfied with the performance of your GRIDIRON product we will correct or replace it. Simply return it to an authorized dealer.

#### **Replacement agreement for misuse or abuse**

Should you damage your GRIDIRON through misuse or abuse, we will replace the item for 1/2 the current suggested list price. Send the product, shipping prepaid, along with an explanation to Novae Customer Service.

#### **15 Day unconditional money back guarantee**

If at any time within fifteen (15) days after your purchase you are not satisfied with your GRIDIRON product, return it to the an authorized dealer for full refund.

#### **Some exceptions**

The wear parts and finish provided with GRIDIRON products are subject to normal wear and tear and are not covered by this guarantee.



### **GRIDIRON CTS**

2 Novae Parkway

Markle, IN 46770

844-240-8695

info@gridironcts.com

©2018 GRIDIRON CTS All rights reserved