

Hedge Trimmer Scabbard Installation Instructions

Thank you for purchasing this Gridiron product

The GRIDIRON Hedge Trimmer Scabbard can be used to store one hand-held power hedge trimmer. It can be mounted to GRIDIRON Posts or directly to your Truck, Open or Enclosed Trailer.

Assembly and installation

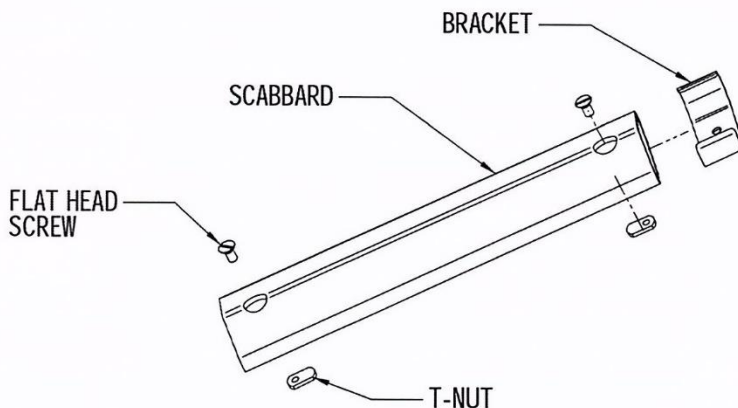
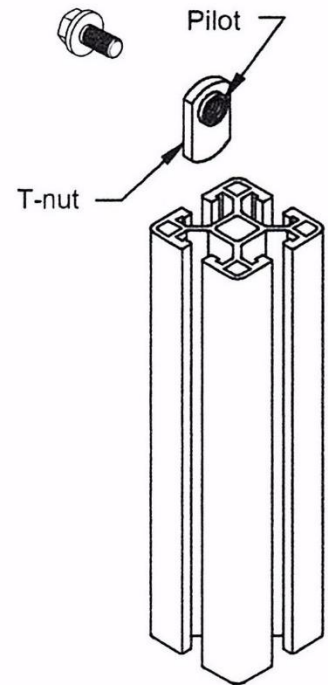
- 1 **Fastener assembly-** The fasteners are assembled at the factory but can loosen during shipping. Assemble any loose bolts, and T-nuts only as shown (NOTE- INCORRECT ASSEMBLY WILL RESULT IN DAMAGE.)
- 2 **General-** The metal bracket must be at the top end of the scabbard to support the hedge trimmer engine.
- 3 **Post Mounting-** Slide the T-nuts into the slots of the Gridiron post, tighten when in the desired location.
- 4 **Enclosed Trailer Wall Mounting-** Locate a wall stud and drill a 1/8" diameter hole. Use one No. 14 sheet metal screw to mount the top end of the scabbard and the metal bracket to the wall stud. Use the other No. 14 screw to mount the opposite end to the wall.

Operation

Slide the Hedge Trimmer blade into the scabbard until it stops against the mounts/gearbox etc.

WARNING!

Assemble all T-nuts with pilot to inside of post.



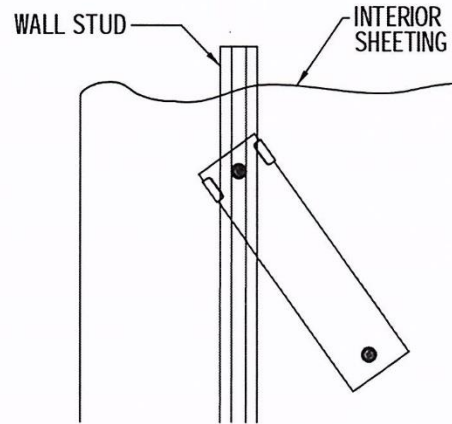
Package Contents

Part List		
Qty	Description	Part No.
1	Scabbard	102373
1	Bracket, Scabbard	102377
2	Single T-nut	102147
2	5/16-18 x 3/4" FH Screw	
2	No.14 x 1" FH Hd Sht Mtl	



Post Not Included

Post Mounting- Slide the T-nuts into the slots of the Gridiron post, tighten when in the desired location.



Enclosed Trailer Wall Mounting- Locate a wall stud and drill a 1/8" diameter hole. Use one No. 14 sheet metal screw to mount the top end of the scabbard and the metal bracket to the wall stud. Use the other No. 14 screw to mount the opposite end to the wall.



GRIDIRON CTS

844-240-8695

www.gridironcts.com

info@gridironcts.com

© 2018 GRIDIRON CTS
All rights reserved

The GRIDIRON Lifetime Guarantee

We want you to be a satisfied GRIDIRON customer forever, so we stand behind our GRIDIRON products with a lifetime guarantee.

Performance Guarantee

If at any time, you are not completely satisfied with the performance of your GRIDIRON product, we will correct or replace it. Simply return it to an authorized dealer.

Some Exceptions

The springs, shock cord elements, cutting edges, vinyl and plastic protectors, and finish provided with your GRIDIRON products are subject to normal wear and tear and are not covered by this guarantee.