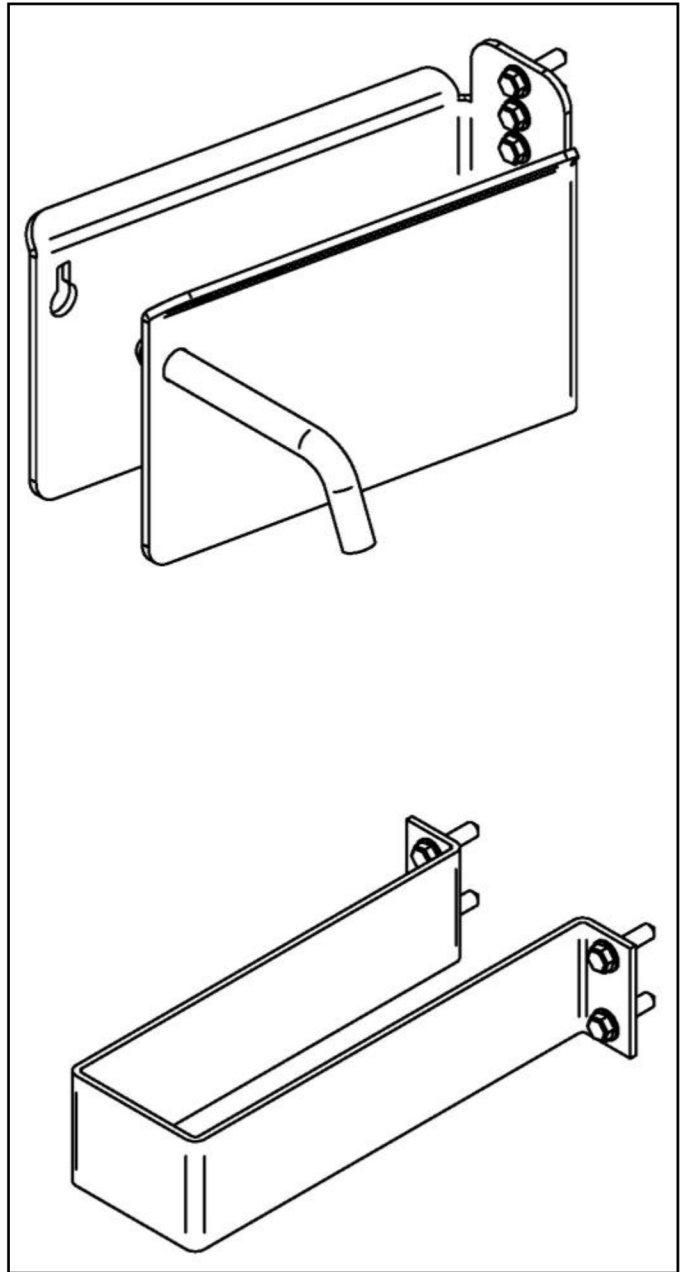


# Enclosed Hand Tool Holder Installation Instructions

Thank you for purchasing this Gridiron product

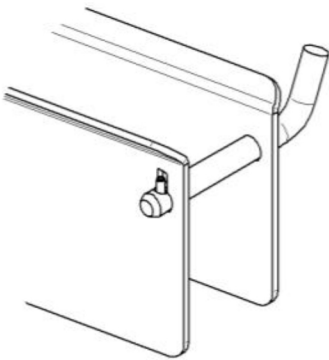
## Installation

- 1 The retaining pin is assembled at the factory.
- 2 Sheet metal screws are included for attaching the holder to your enclosed trailer wall.
- 3 Mount the upper bracket with the retaining pin so that your hand tools don't hit the ceiling of your trailer when in the bracket. Be sure to mount the upper bracket to a stud in the wall using 4 of the included screws
- 4 Set the bottom bracket just high enough to keep the handles of your tools from swinging around but low enough that you can lift the tools out when removing them.
- 5 Use 4 of the enclosed screws to mount the bottom bracket to the wall.

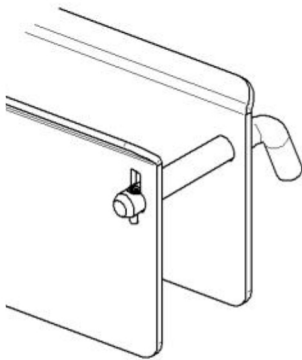


## Use

1. Turn retainer pin so that the spring pin aligns with slot in upper bracket. Pull pin out of left side of bracket and allow to hang from right side.
2. Position tool handle ends through bottom bracket and hang head of tool in upper bracket.
3. When all tools are in place, Push the retainer pin back through left side of bracket by aligning spring pin and turn retainer pin handle down. Gravity will keep it from sliding out while you are traveling.



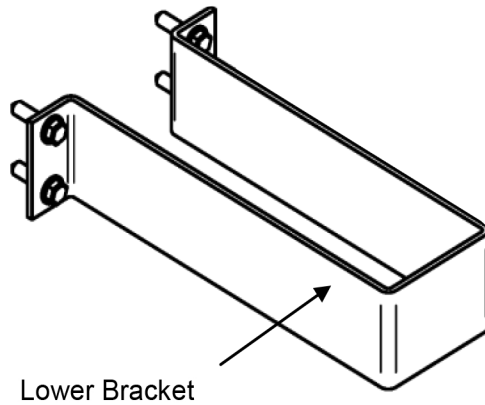
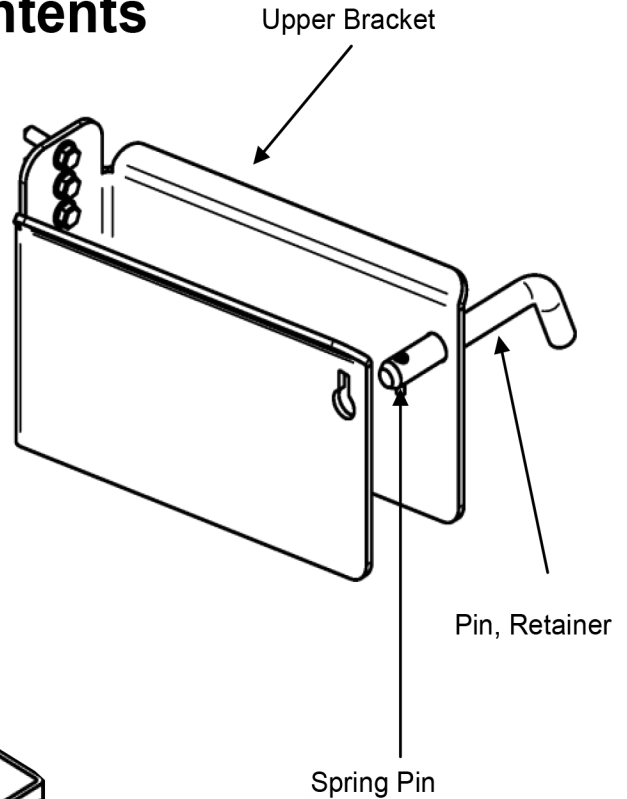
Pin Aligned for Removal



Pin Aligned for Travel

# Package Contents

Part List		
Qty	Description	Part
1	Upper Bracket	103047
1	Lower Bracket	103049
8	Screw, #14 x 1	102448
1	Pin, Retainer	103048
1	Spring Pin, 5/32	102450



## The GRIDIRON Lifetime Guarantee

We want you to be a satisfied GRIDIRON customer forever so we stand behind our GRIDIRON products with a lifetime guarantee.

### **Performance Guarantee**

If at any time you are not completely satisfied with the performance of your GRIDIRON product we will correct or replace it. Simply return it to an authorized dealer.

### **Replacement agreement for misuse or abuse**

Should you damage your GRIDIRON through misuse or abuse, we will replace the item for ½ the current suggested list price. Send the product, shipping prepaid, along with an explanation to Novae Customer Service.

### **15 Day unconditional money back guarantee**

If at any time within fifteen (15) days after your purchase you are not satisfied with your GRIDIRON product, return it to the an authorized dealer for full refund.

### **Some exceptions**

The springs, shock cord elements, cutting edges, vinyl and plastic protectors and finish provided with your GRIDIRON products are subject to normal wear and tear and are not covered by this guarantee.



**GRIDIRON CTS**

2 Novae Parkway

Markle, IN 46770

844-240-8695

[info@gridironcts.com](mailto:info@gridironcts.com)

©2018 GRIDIRON CTS All rights reserved