

Chain Saw Holder Bracket Instruction Manual

Thank you for purchasing this Gridiron product

Installation

Note: Use this CB-01 Chain Saw Holder Bracket to mount the Chain Saw Holder to Gridiron posts, any vertical wall, round trailer rail, or other vertical framework.

Shipping: Fasteners are assembled at the factory but can loosen during shipping. Assemble any loose bolts, washers, and T-nuts only as shown (NOTE- INCORRECT ASSEMBLY WILL RESULT IN DAMAGE.)

Mounting Options

Option 1 Gridiron Post: To mount on Gridiron posts, simply loosen the four bolts and slide the bracket to the position desired. Tighten the four bolts.

Option 2 Vertical Frame: To mount to a vertical frame, clamp the bracket in place and using the bracket as a guide, drill holes through the frame. Assemble the bracket and screws then tighten in place.

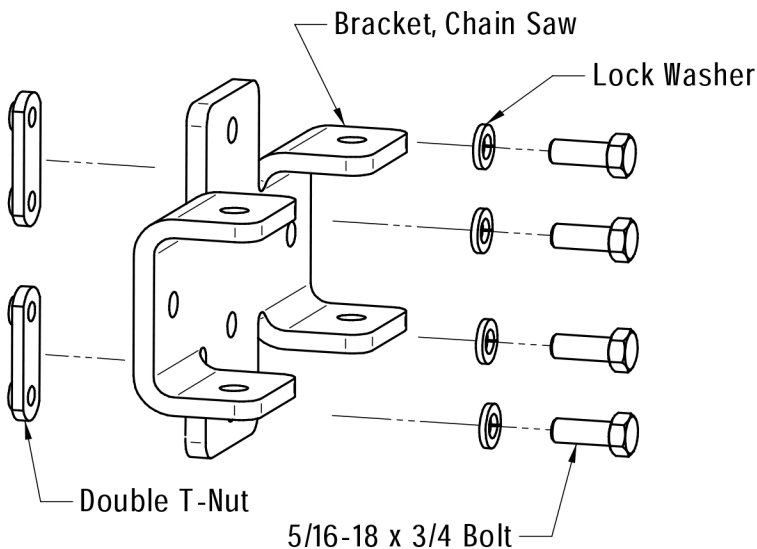
Option 3 Enclosed Trailer Wall: To mount directly to an enclosed trailer wall you must locate and fasten to the steel trailer wall stud. Mount to the steel stud using four suitable sheet metal screws. No.12 or No.14 x 1 are recommended. Warning, be careful not to puncture the exterior trailer skin with drills or screws.

Option 4 Round Trailer Rail: To mount to a round trailer rail you will need two 5/16-18 Flat Head screws long enough to reach through the trailer tube, chain saw holder bracket, and chain saw holder as shown on reverse. Clamp the bracket in the desired location and, using the bracket as a guide, drill holes through the rail. Assemble the chain saw holder, chain saw bracket with the legs facing the tube as shown, and screws then tighten in place.

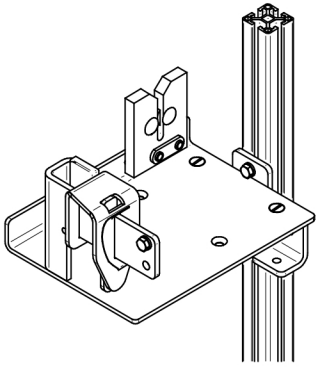
Package Contents

Part List

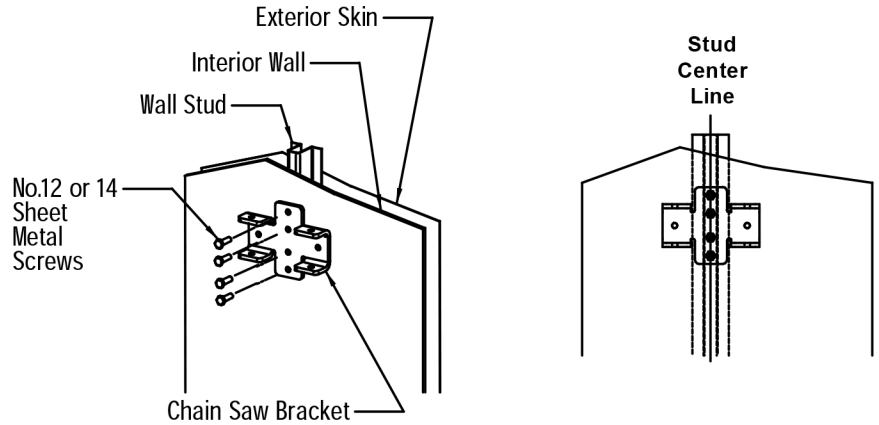
Qty	Description	Part No.
1	Bracket, Chain Saw	102312
2	Double T-nut	102146
4	5/16-18 x 1" Bolt	
4	5/16" Lock washer	



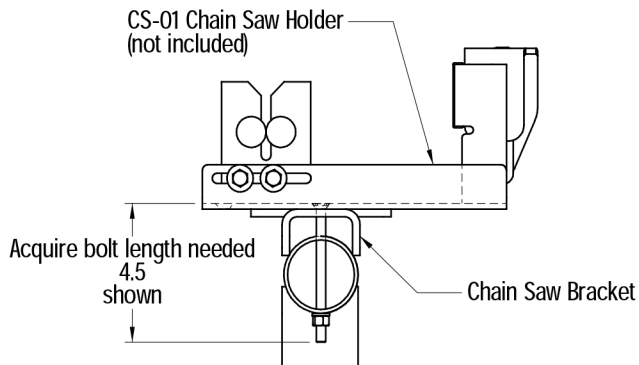
Option 1. Gridiron Post
Option 2. Vertical Frame



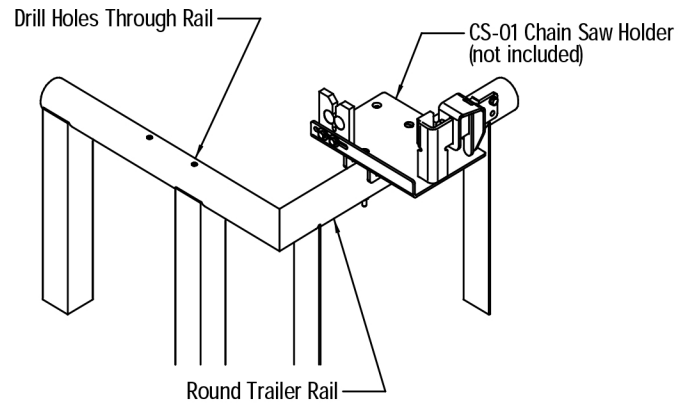
Option 3. Enclosed Trailer Wall



Option 4. Round Trailer Rail



End View



The GRIDIRON Lifetime Guarantee

We want you to be a satisfied GRIDIRON customer forever so we stand behind our GRIDIRON products with a lifetime guarantee.

Performance Guarantee

If at any time you are not completely satisfied with the performance of your GRIDIRON product we will correct or replace it. Simply return it to an authorized dealer.

Replacement agreement for misuse or abuse

Should you damage your GRIDIRON through misuse or abuse, we will replace the item for ½ the current suggested list price. Send the product, shipping prepaid, along with an explanation to Novae Customer Service.

15 Day unconditional money back guarantee

If at any time within fifteen (15) days after your purchase you are not satisfied with your GRIDIRON product, return it to the an authorized dealer for full refund.

Some exceptions

The springs, shock cord elements, and finish provided with your GRIDIRON products are subject to normal wear and tear and are not covered by this guarantee.



GRIDIRON CTS

2 Novae Parkway
 Markle, IN 46770

844-240-8695

info@gridironcts.com

©2018 GRIDIRON CTS All rights reserved