

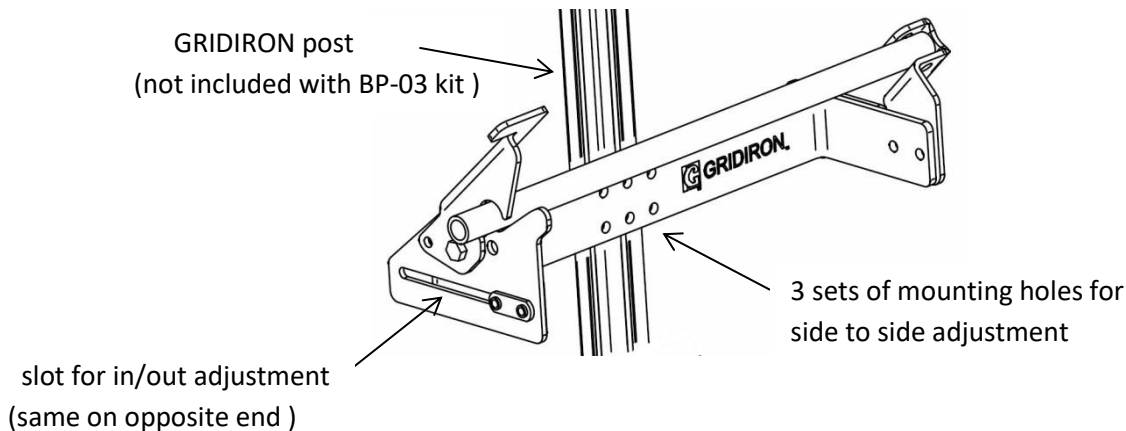
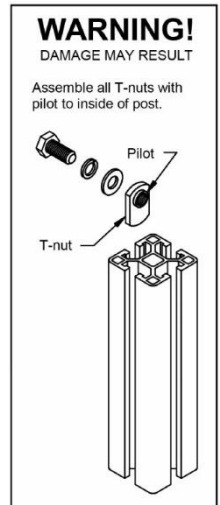


BP-03 Backpack Blower Rack

Thank you for purchasing this GRIDIRON product

Assembly and Installation

- 1 The fasteners are assembled at the factory but can loosen during shipping. Assemble any loose bolts and T-nuts only as shown (NOTE- Incorrect assembly will result in damage)
- 2 The GRIDIRON Backpack Blower Rack can be mounted to GRIDIRON Posts or to other suitable framework (some scenarios may require locally acquired hardware)
- 3 Mount the blower shelf at the desired height and location.
- 4 Install the adjustable front panel on the shelf with the 4.75" T-nut, placing the T-nut on the bottom of the shelf for added security. Leave bolts loose for final adjustment.
- 5 Install the adjustable side panel on the opposite side of your blower tube with the 4.75" T-nut. Leave bolts loose for final adjustment.
- 6 Install the locking bar assembly at the desired height to secure your blower. There are three sets of mounting holes in the back bar to allow a shift to the left or right. There are also slots on the end brackets to allow adjustment in or out to find the best fit for your blower.

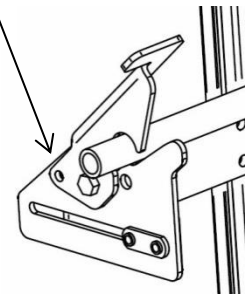


- 7 Open the lock bar and place your blower on the shelf, adjust the front and side panel to fit your blower, remove your blower and tighten all bolts.
- 8 Mount the blower loop in a suitable location to allow secure storage and easy mounting and dismounting of the blower tube. The loop can be placed above on the same Gridiron post, to the side on another Gridiron post, on the trailer rail or wall, or any other suitable location. (Obtain hardware locally for some mounting scenarios)

Operation

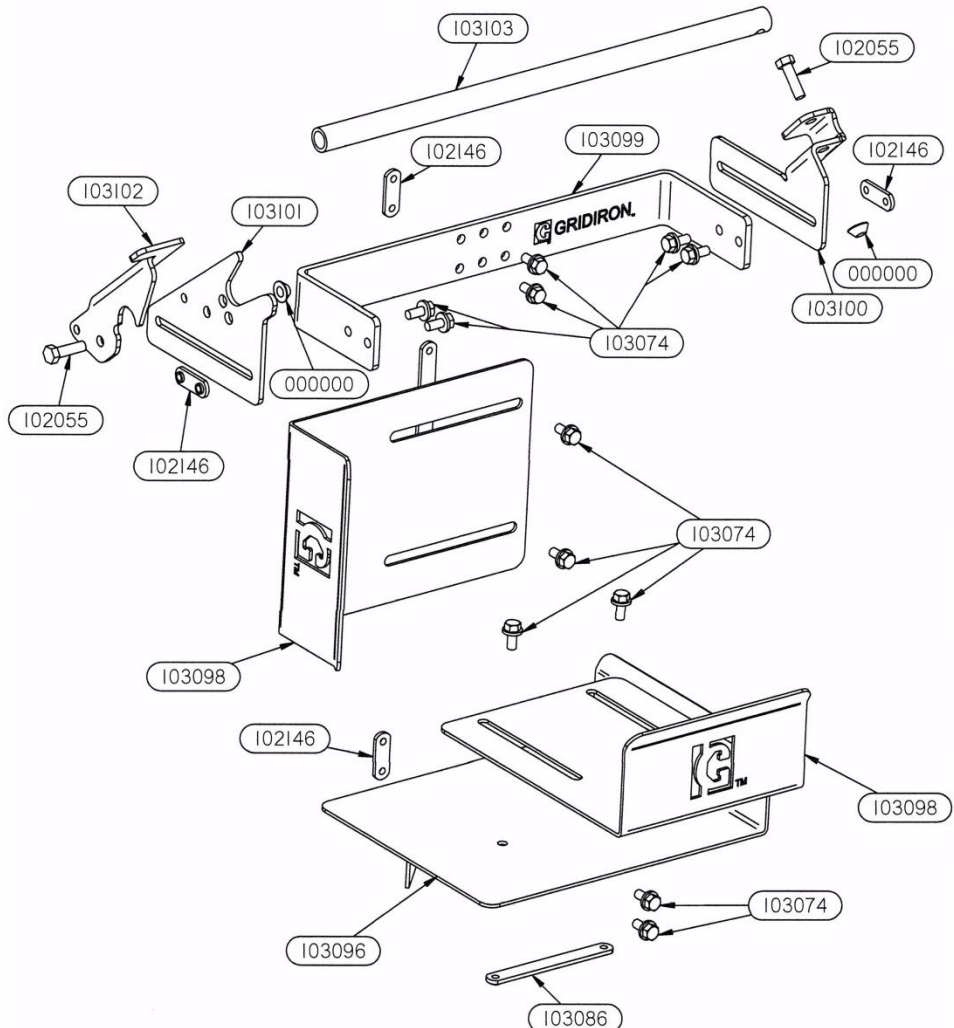
- 1 Lift the tab on the latch lever to allow the lock bar to be lifted to the open position.
- 2 Place the blower tube into the loop and set the blower on the shelf. Lower the lock bar into the latch until it is secure behind the latch lever.
- 3 To lock, place a padlock on the back side of the latch lever to prevent it from opening. (Padlock is not included with BP-03 kit)

insert padlock in this hole
(padlock not included)



Parts

Part #	Description	Qty
102055	bolt 3/8 x 1-1/4	2
102122	Spring (not shown)	1
102146	Double T-Nut - short	4
102426	Blower Loop Assembly	1
103074	bolt 5/16 x 5/8	12
103086	Double T-Nut - long	2
103098	Adjustable Retainer	2
103099	Back Bar	1
103100	Pivot Bracket	1
103101	Latch Base	1
103102	Latch	1
103103	Lock Bar	1
103105	Support shelf	1
0	Security Cone Nut	2



GRIDIRON CTS

844-240-8695

www.gridironcts.com

info@gridironcts.com

© 2018 GRIDIRON CTS
All rights reserved

BP-03 REV 0 9/25/2019

The GRIDIRON Lifetime Guarantee

We want you to be a satisfied GRIDIRON customer forever, so we stand behind our GRIDIRON products with a lifetime guarantee.

Performance Guarantee

If at any time, you are not completely satisfied with the performance of your GRIDIRON product, we will correct or replace it.

Some Exceptions

The springs, shock cord elements, cutting edges, vinyl and plastic protectors, and finish provided with your GRIDIRON products are subject to normal wear and tear and are not covered by this guarantee.